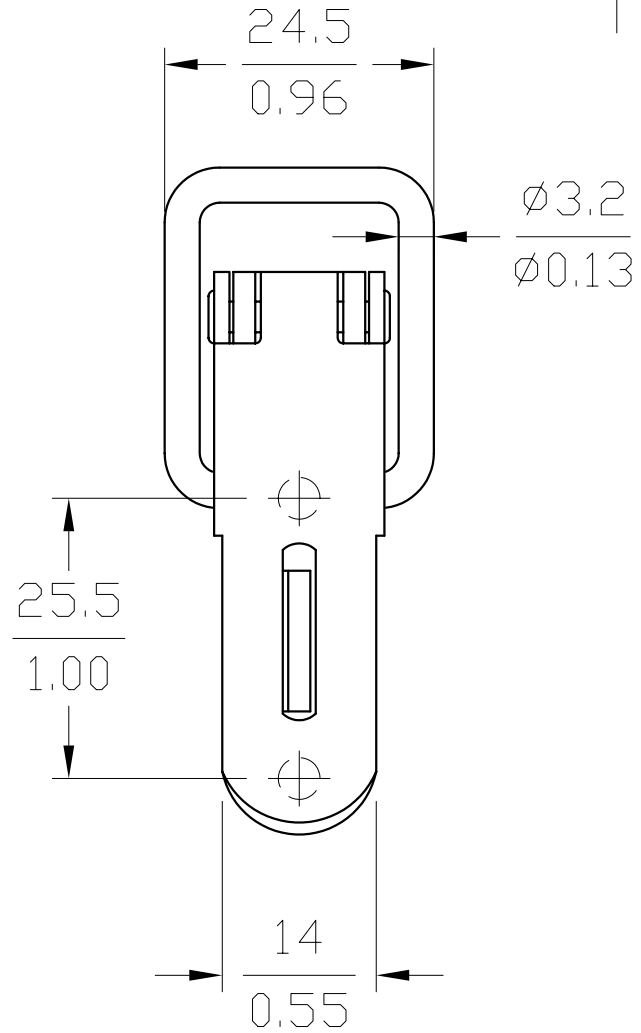
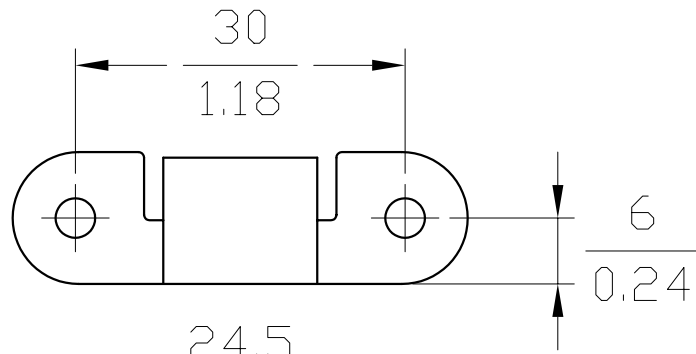


2 mtg holes $\phi 3.8/0.15$



2 mtg holes $\phi 3.7/0.15$

