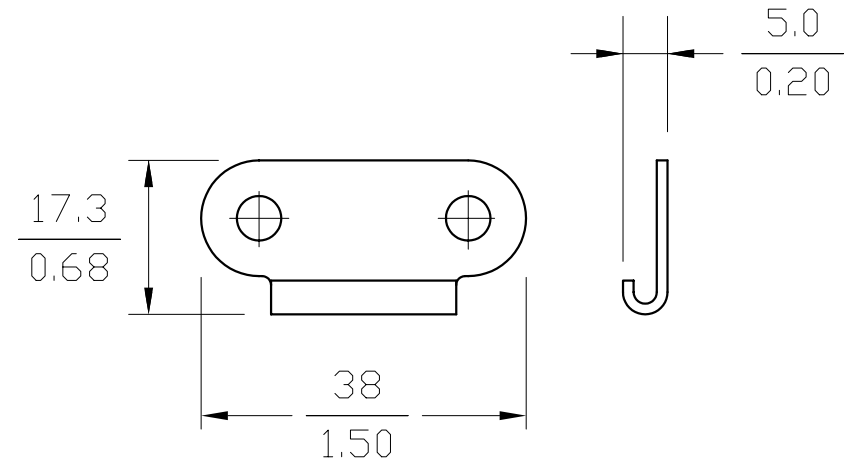
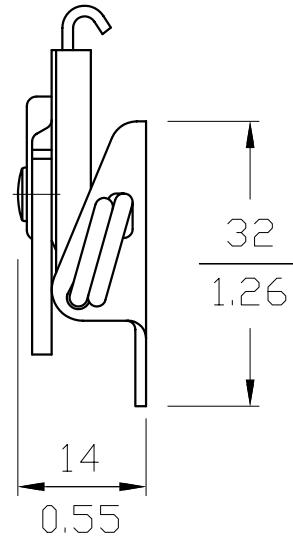


(CUTOUT)

2 mtg holes $\varnothing 5.0/0.20$ or $\varnothing 3.2/0.13$



2 mtg holes $\varnothing 5.0/0.20$ or $\varnothing 3.2/0.13$