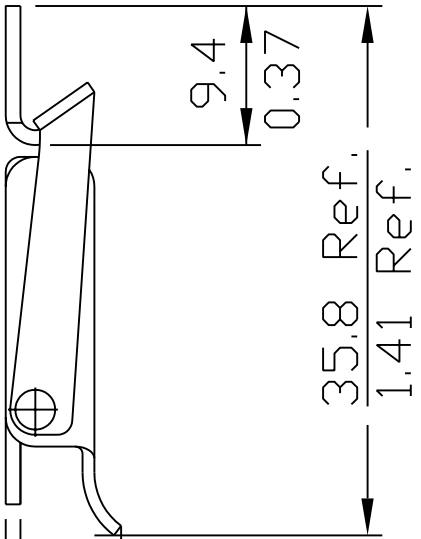
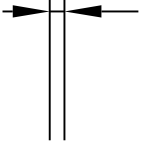
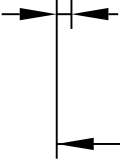


1.0
0.04



1.0
0.04



7.8 Ref.
0.31 Ref.

∅3.3 CTSK-4
∅0.13 CTSK-4

